



GLOBAL SOLUTIONS



NEWS RELEASE



For Immediate Release

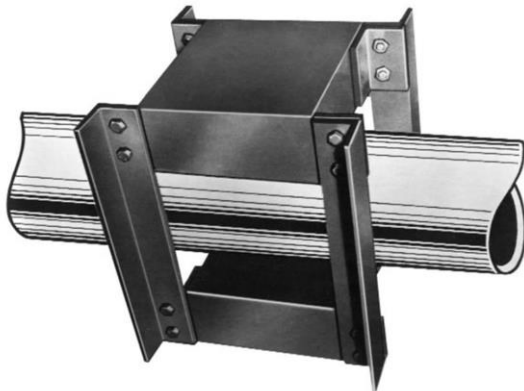
**News for the Mining and Minerals
Processing Industry**

Contact: Ed Stevens, Stevens Strategic Communications
estevens@stevensstrategic.com

John Blich, Eriez
jblich@eriez.com

Eriez® Magnetic Flocculators—Widely Used in Iron and Coal Mining—Now Applied in Steel Applications

Erie, PA—Eriez® [Permanent Magnetic Flocculators](#), which have long been a popular choice to aid in the separation of minute magnetic particles from liquids and slurries in iron and coal applications, are finding new use in steel and other industries for agglomerating fine magnetic contaminants in quench water, cooling oils and more, according to Eriez Director of Minerals and Materials Processing Jose Marin.



Flocculation occurs when a slurry or liquid containing magnetic particles passes through the magnetic field. The fine particles become magnetized and attracted to each other, forming larger particles or “flocs.” These larger particles are less affected by flow turbulence and have enough mass to settle out of the slurry at a much faster rate than individual unflocculated particles.

Eriez [Permanent Magnetic Flocculators](#) are available to accommodate pipeline volumes of 4 to 24 inches. Designed to install easily on existing pipework as well as new applications, units will mount to the floor or ceiling. There are no operating costs, parts to wear out or maintenance required.

Eriez can engineer Permanent Magnetic Flocculators to suit any specific application need. Design variables include magnetic strength, retention time in the magnetic field, and the overall size of the flocculator.

For more information, visit <http://erieznews.com/nr563>.

Eriez is recognized as the world authority in separation technologies. The company’s magnetic separation, metal detection, material handling, fluid recycling and advanced flotation technologies have application in the mining, processing, packaging, food, recycling, aggregate, plastics and metalworking industries. Eriez designs, manufactures and markets these products through 13 international subsidiaries located on six continents. For more information, visit www.eriez.com or contact Eriez Headquarters, 2200 Asbury Road, Erie, PA 16506 USA at +1 814 835-6000 or eriez@eriez.com.

###